

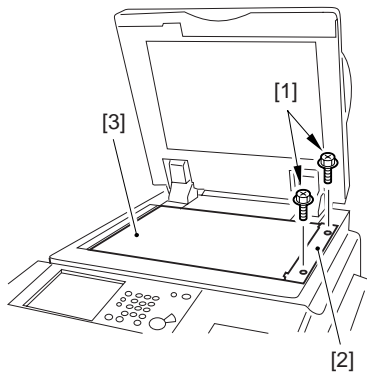
5.4 Parts Replacement Procedure

5.4.1 CCD Unit

5.4.1.1 Removing the Copyboard Glass 0008-7656

iR5570 / iR6570

- 1) Open the ADF.
- 2) Remove the 2 screws [1], and detach the right glass retainer [2]; then, detach the copyboard glass [3].



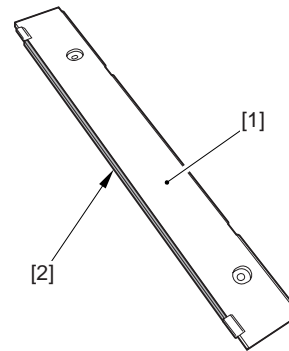
F-5-35



When detaching the copyboard glass, take care not to touch the white plate attached to its back. (Soiling can cause lines in the image). If soiled, clean it using lint-free paper moistened with alcohol.)



Take care not to deform the sponge attached to the right glass retainer [1].

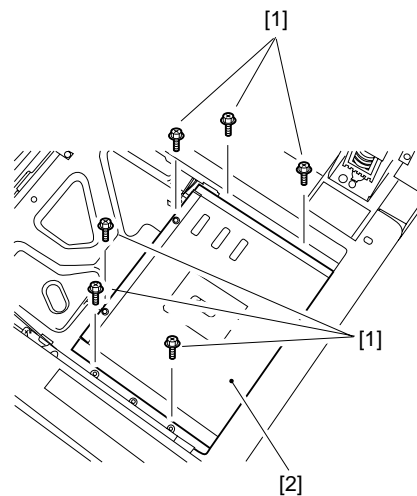


F-5-36

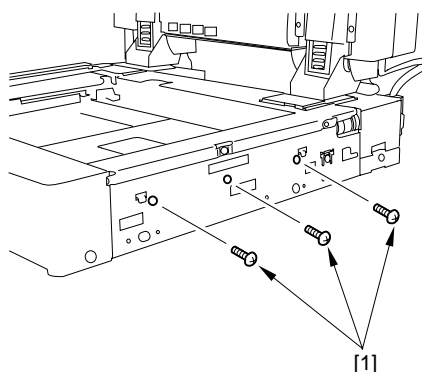
5.4.1.2 Removing the CCD Unit Cover 0008-7657

iR5570 / iR6570

- 1) Remove the 9 screws [1], and detach the CCD unit cover [2].



F-5-37



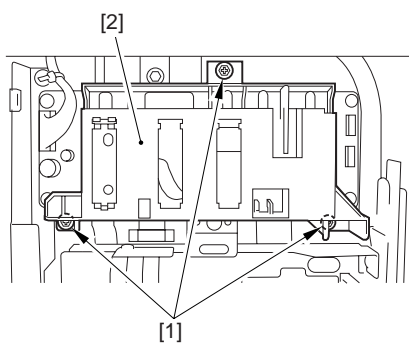
F-5-38

5.4.1.3 Removing the Original Size Sensor Unit

0008-7658

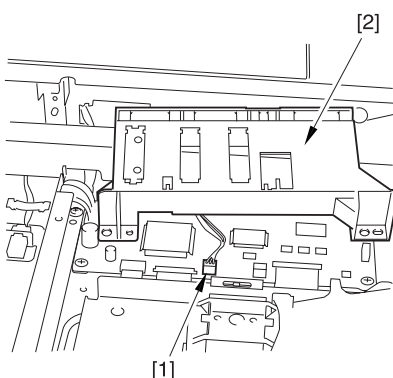
iR5570 / iR6570

- 1) Remove the 3 screws [1], and slide the original size detection unit [2].



F-5-39

- 2) Disconnect the connector [1], and detach the original size sensor unit [2].



F-5-40

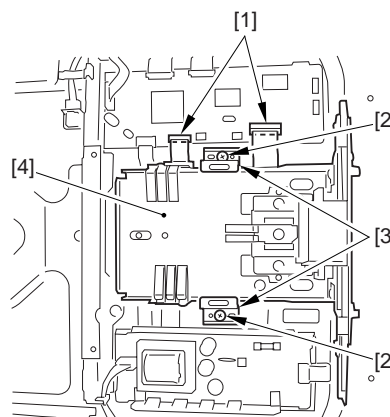
5.4.1.4 Removing the CCD Unit

Unit

0008-7659

iR5570 / iR6570

- 1) Disconnect the 2 flat cables [1] of the reader controller PCB, and remove the 2 screws [2] and the 2 leaf springs [3]; then, detach the CCD unit [4].



F-5-41

5.4.1.5 When Replacing the CCD Unit

0008-7681

iR5570 / iR6570

Execute the following in service mode:

- 1) white plate data adjustment (COPIER>FUNCTION>CCD>CCD-ADJ)
- 2) ADF white level adjustment (COPIER>FUNCTION>CCD>DF-WLVL1/2)



Be sure to perform white plate data adjustment before performing ADF white level plate.

5.4.2 Copyboard glass

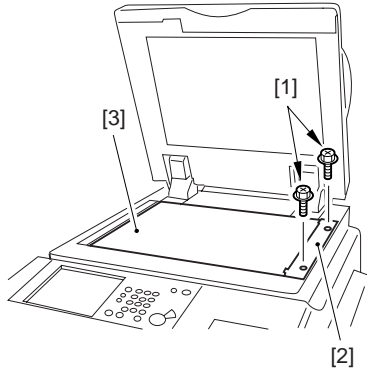
5.4.2.1 Removing Copyboard Glass

Glass

0008-7608

iR5570 / iR6570

- 1) Open the ADF.
- 2) Remove the 2 screws [1], and detach the right glass retainer [2]; then, detach the copyboard glass [3].



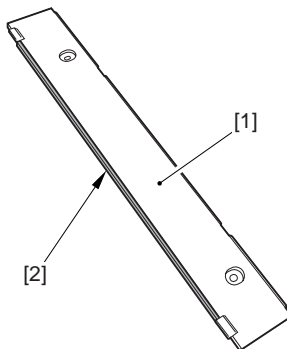
F-5-42



When detaching the copyboard glass, take care not to touch the white plate attached to its back. (Soiling can cause lines in the image). If soiled, clean it using lint-free paper moistened with alcohol.)



Take care not to deform the sponge attached to the right glass retainer [1].



F-5-43

5.4.2.2 When Replacing the Platen Board Glass 0009-1983

iR5570 / iR6570

Execute the following in service mode:

- 1) white plate data adjustment (COPIER>FUNCTION>CCD>CCD-ADJ)
- 2) ADF white level adjustment (COPIER>FUNCTION>CCD>DF-WLVL1/2)



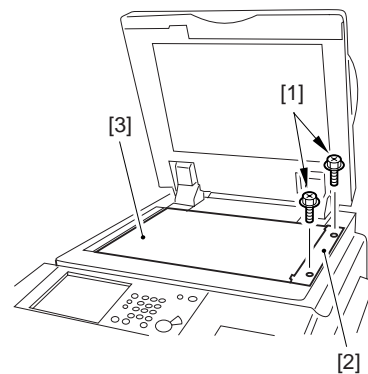
Be sure to perform white plate data adjustment before performing ADF white level adjustment.

5.4.3 Scanning Lamp

5.4.3.1 Removing the Copyboard Glass 0008-7609

iR5570 / iR6570

- 1) Open the ADF.
- 2) Remove the 2 screws [1], and detach the right glass retainer [2]; then, detach the copyboard glass [3].



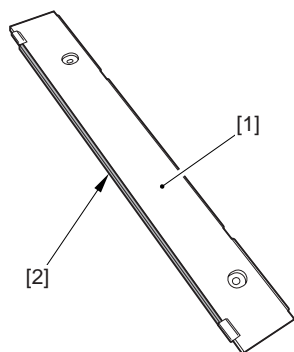
F-5-44



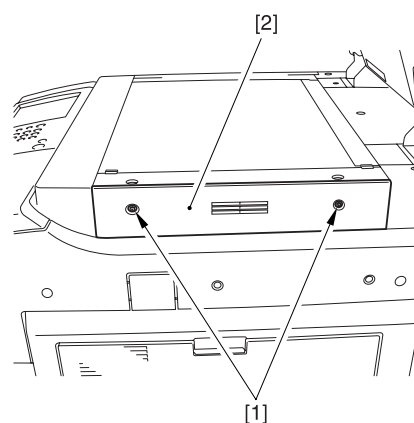
When detaching the copyboard glass, take care not to touch the white plate attached to its back. (Soiling can cause lines in the image). If soiled, clean it using lint-free paper moistened with alcohol.)



Take care not to deform the sponge attached to the right glass retainer [1].



F-5-45



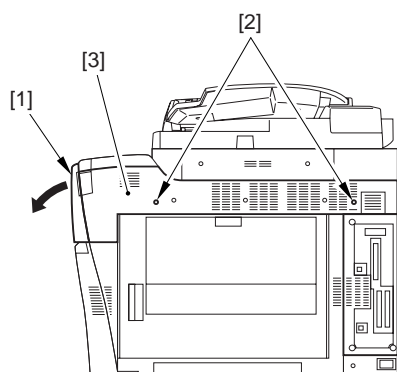
F-5-47

5.4.3.2 Removing the Right Cover (upper)

0008-7611

iR5570 / iR6570

- 1) Open the toner supply cover [1].
- 2) Remove the 2 screws [2], and detach the right cover (upper) [3].



F-5-46

5.4.3.3 Removing the Reader Right Cover

0008-7613

iR5570 / iR6570

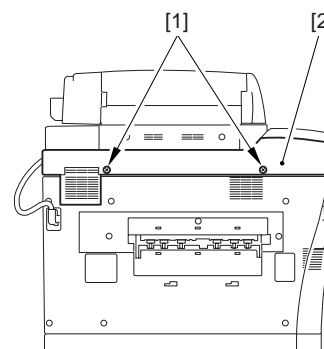
- 1) Remove the 2 screws [1], and detach the reader right cover [2].

5.4.3.4 Removing the Left Cover (upper)

0008-7645

iR5570 / iR6570

- 1) Remove the 2 screws [1], and detach the left cover (upper) [2].



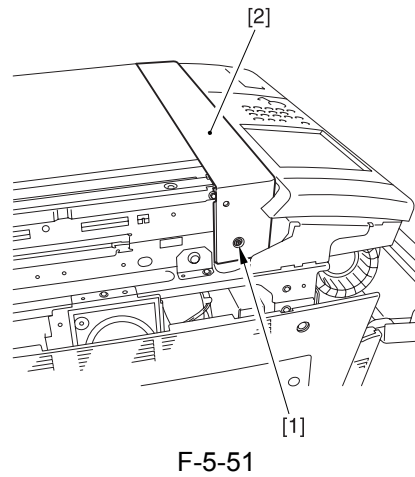
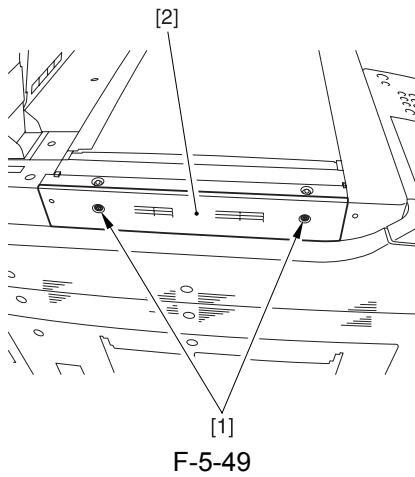
F-5-48

5.4.3.5 Removing the Reader Left Cover

0008-7616

iR5570 / iR6570

- 1) Remove the 2 screws [1], and detach the reader left cover [2].



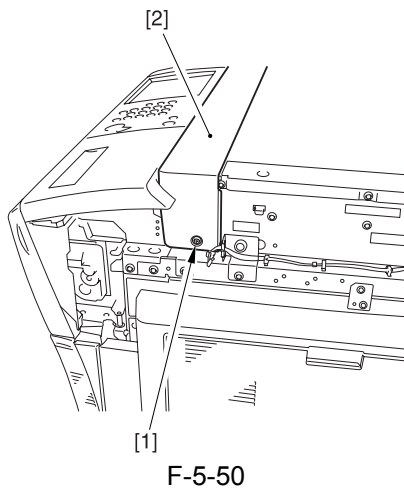
5.4.3.6 Removing the Reader

Front Cover

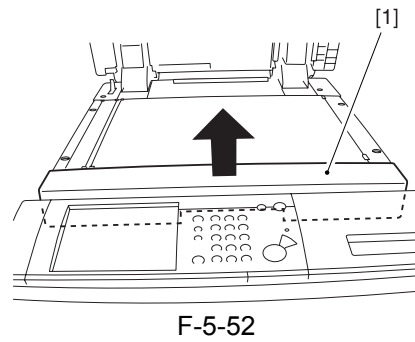
0008-7624

iR5570 / iR6570

- 1) Remove the screw [2] (1 pc. each) from the left and right of the reader front cover [1].



- 2) Detach the reader front cover [1] in upward direction [1].



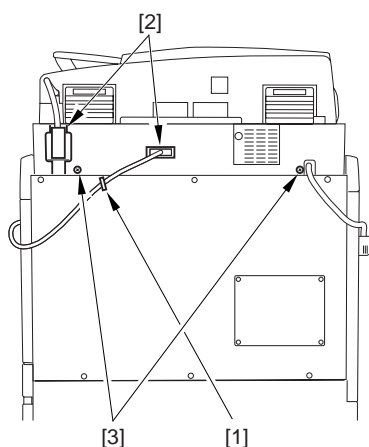
5.4.3.7 Removing the Reader

Unit Rear Cover

0008-7625

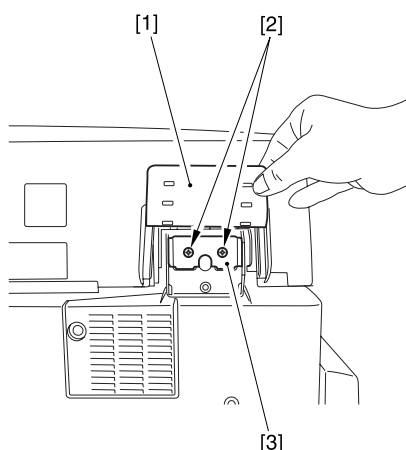
iR5570 / iR6570

- 1) Open the cable clamp [1].
- 2) Disconnect the 2 connectors [2].
- 3) Remove the 2 screws [3].

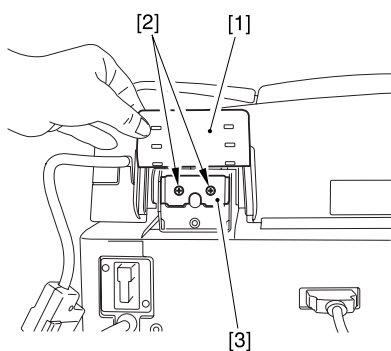


F-5-53

- 4) Bend up the rubber cover [1], and remove the 2 screws [2] each; then, detach the 2 angle guide plates [3].



F-5-54

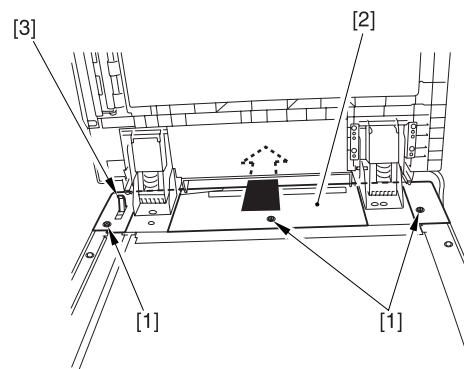


F-5-55

- 5) Fully open the ADF.
6) Remove the 3 screws [1], and slide the reader unit rear cover [2] to the rear to detach.



Take care not to damage the ADF open/closed sensor arm [3].



F-5-56

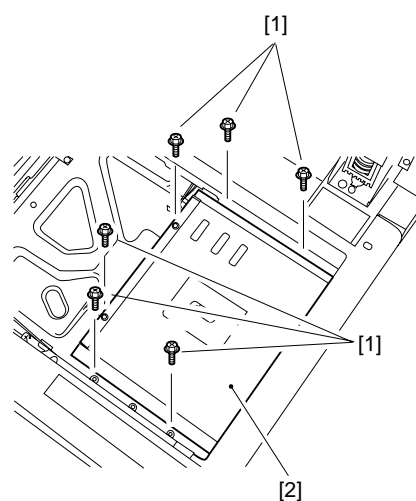
5.4.3.8 Removing the CCD

Unit Cover

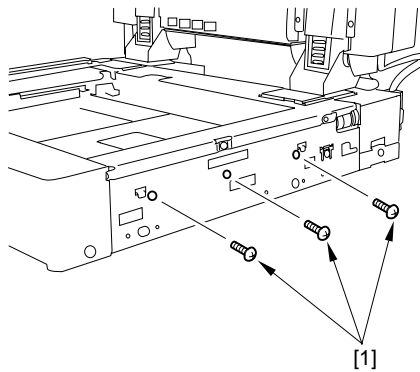
0008-7626

iR5570 / iR6570

- 1) Remove the 9 screws [1], and detach the CCD unit cover [2].



F-5-57



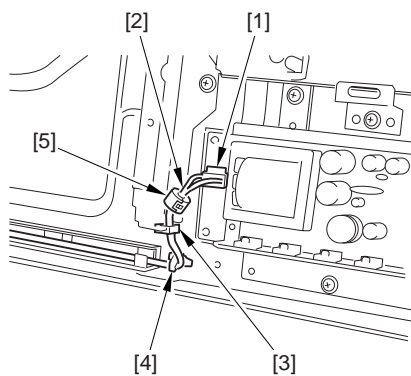
F-5-58

5.4.3.9 Removing the Scanning Lamp

0008-7627

iR5570 / iR6570

- 1) Disconnect the connector [1], and free the cable [2] from the cable guide [3] and the snap band [4].
- 2) Open the ferrite core [5] to detach. (100/230V machine)



F-5-59

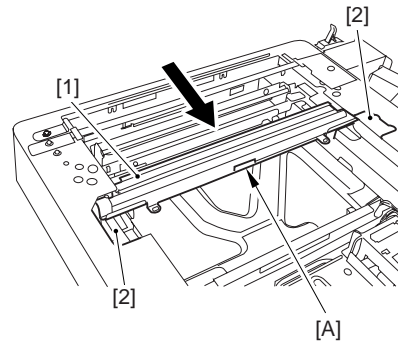


When replacing the scanning lamp, be sure to fit the removed ferrite core to the new lamp. (100/230V machine)

- 3) Slide the No. 1 mirror base [1] to the right so that it matches against the cut-off [2] of the frame.

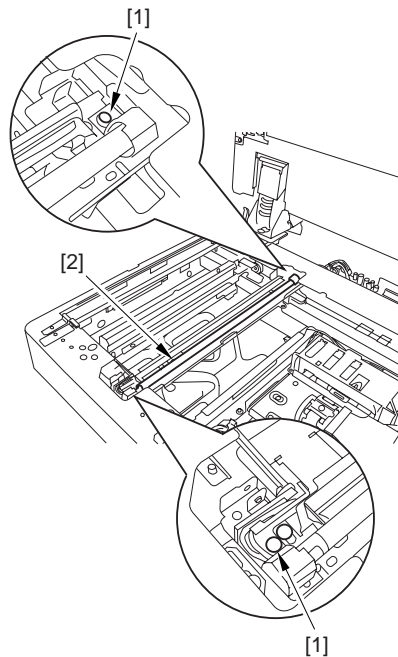


When detaching the No. 1 mirror base, be sure to hold it by the bend [A] on the mirror stay.



F-5-60

- 4) Remove the 2 screws [1], and detach the scanning lamp [2].



F-5-61

5.4.3.10 When Replacing the Scanning Lamp

0009-1988

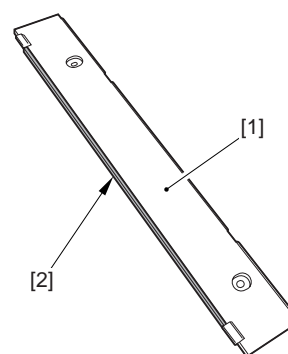
iR5570 / iR6570

Execute the following in service mode:

- 1) white plate data adjustment (COPIER> FUNCTION> CCD> CCD-ADJ)
- 2) ADF white level adjustment (COPIER> FUNCTION> CCD> DF-WLV1/2)



Be sure to perform white plate data adjustment before performing ADF white level adjustment.



F-5-63

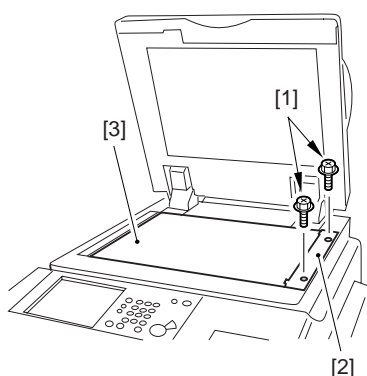
5.4.4 Reader Controller PCB

5.4.4.1 Removing the Copyboard Glass

0008-7628

iR5570 / iR6570

- 1) Open the ADF.
- 2) Remove the 2 screws [1], and detach the right glass retainer [2]; then, detach the copyboard glass [3].



F-5-62



When detaching the copyboard glass, take care not to touch the white plate attached to its back. (Soiling can cause lines in the image). If soiled, clean it using lint-free paper moistened with alcohol.)



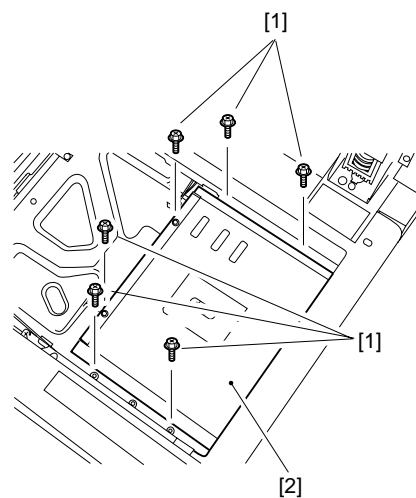
Take care not to deform the sponge attached to the right glass retainer [1].

5.4.4.2 Removing the CCD Unit Cover

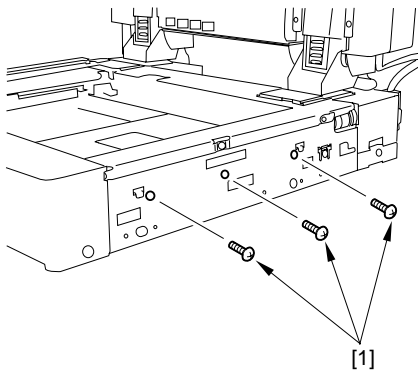
0008-7629

iR5570 / iR6570

- 1) Remove the 9 screws [1], and detach the CCD unit cover [2].



F-5-64



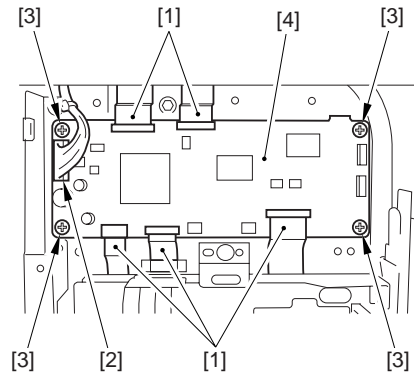
F-5-65

5.4.4.4 Removing the Reader Controller PCB

0008-7631

iR5570 / iR6570

- 1) Disconnect the 5 flat cables [1] and the connector [2]; then, remove the 4 screws [3], and detach the reader controller PCB [4].



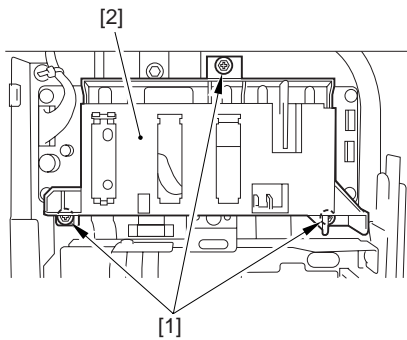
F-5-68

5.4.4.3 Removing the Original Size Sensor Unit

0008-7630

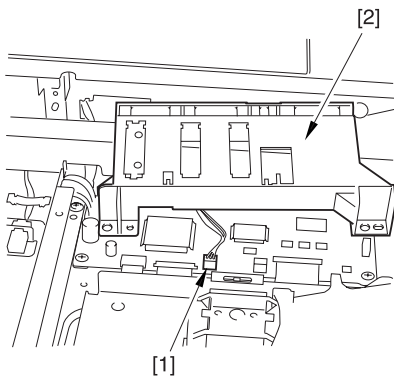
iR5570 / iR6570

- 1) Remove the 3 screws [1], and slide the original size detection unit [2].



F-5-66

- 2) Disconnect the connector [1], and detach the original size sensor unit [2].

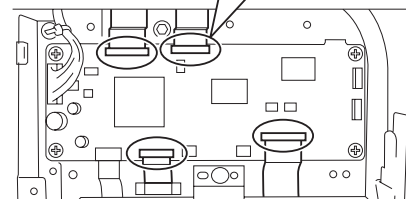
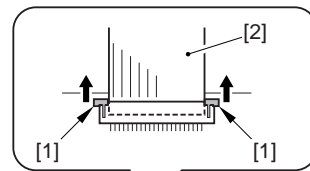


F-5-67



How to Disconnect the Flat Cable

Slide the locking lever [1] in the direction of the arrow to release; then, disconnect the flat cable [2].



F-5-69

5.4.4.5 After Replacing the Reader Controller PCB 0008-7632 iR5570 / iR6570



Be sure to generate the latest P-PRINT printout before replacing the reader controller PCB

- If you are initializing the RAM on the reader controller without replacing the PCB,

Using the SST, upload the backup data of R-CON; initialize the RAM, and then download the data, thus eliminating the need for the following.

- 1) Using the SST, download the latest system software (R-CON).
- 2) Make the following selections in service mode: COPIER>FUNCTION>CLEAR>R-CON. Then, press the OK key to execute RAM initialization. Thereafter, turn off and then back on the main power.
- 3) Enter the appropriate settings for the following items in service mode:
 - a. settings indicated on the service label (found behind the reader unit front cover)
 - a-1 image read start position adjustment (X direction; in fixed reading mode) COPIER>ADJUST>ADJ-XY>ADJ-X
 - a-2 image read start position adjustment (Y direction; in fixed reading mode) COPIER>ADJUST>ADJ-XY>ADJ-Y
 - a-3 shading position adjustment (in fixed reading mode)


```
COPIER>ADJUST>ADJ-XY>ADJ-S
```
 - a-4 feeder mode main scanning position adjustment


```
COPIER>ADJUST>ADJ-XY>ADJ-Y-DF
```
 - a-5 ADF stream reading CCD reading position


```
COPIER>ADJUST>ADJ-XY>STRD-POS
```



The machine retains ADF-related service data in the

RAM of its reader controller, thus necessitating ADF adjustment whenever you have replaced the reader controller or initialized the RAM.

- b. original stop position adjustment


```
FEEDER>ADJSUT>DOCST
```
- c. original feed speed (magnification) adjustment


```
FEEDER>ADUST>LA-SPEED
```
- 4) Make adjustments using the following service mode items:
 - a. ADF sensor sensitivity adjustment


```
FEEDER>FUNCTION>SENS-INT
```
 - b. tray width adjustment


```
FEEDER>FUNCTION>TRY-A4
```

```
FEEDER>FUNCTION>TRY-A5R
```

```
FEEDER>FUNCTION>TRY-LTR
```

```
FEEDER>FUNCTION>TRY-LTRR
```
 - c. white plate data adjustment


```
COPIER>FUNCTION>CCD>CCD-ADJ
```
 - d. ADF white level adjustment


```
COPIER>FUNCTION>CCD>DF-WLV1
```

```
COPIER>FUNCTION>CCD>DF-WLV2
```



Be sure to perform white plate data adjustment before performing ADF white level adjustment.

After having made the foregoing adjustments, put the P-PRINT printout in the service book case, replacing the previous P-PRINT printout.

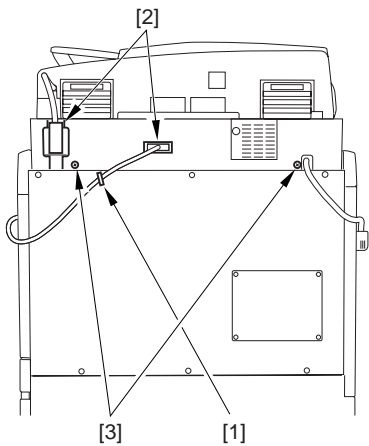
5.4.5 Interface PCB

5.4.5.1 Removing the Reader Unit Rear Cover 0008-7647

iR5570 / iR6570

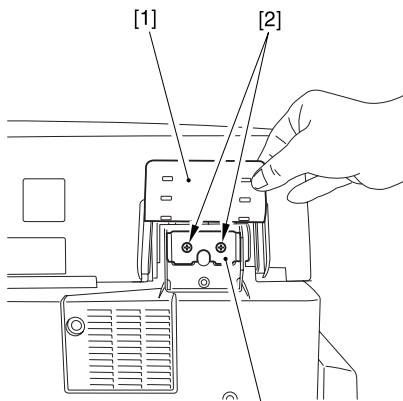
- 1) Open the cable clamp [1].

- 2) Disconnect the 2 connectors [2].
- 3) Remove the 2 screws [3].

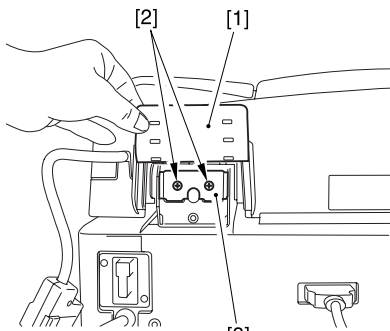


F-5-70

- 4) Bend up the rubber cover [1], and remove the 2 screws [2] each; then, detach the 2 angle guide plates [3].



F-5-71

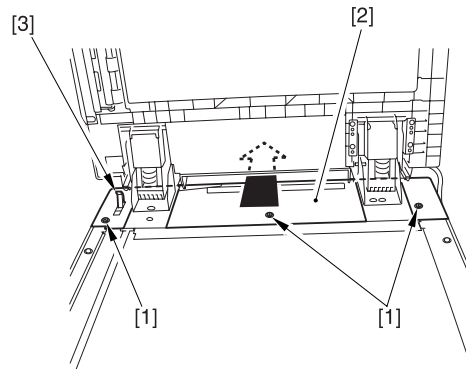


F-5-72

- 5) Fully open the ADF.
- 6) Remove the 3 screws [1], and slide the reader unit rear cover [2] to the rear to detach.



Take care not to damage the ADF open/closed sensor arm [3].



F-5-73

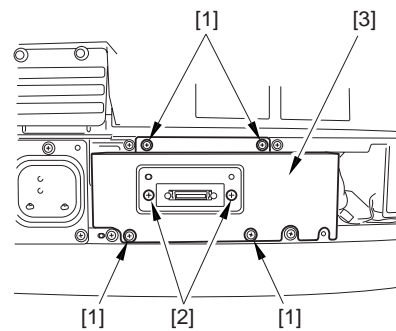
5.4.5.2 Removing the Interface

PCB

0008-7648

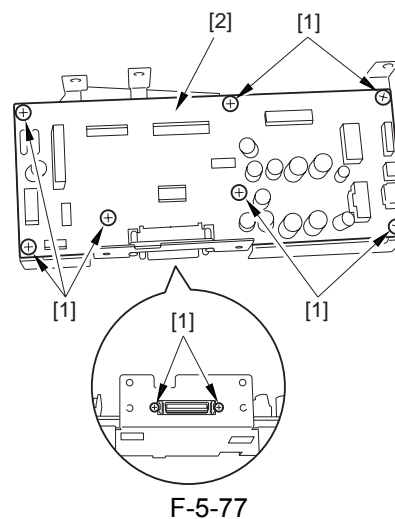
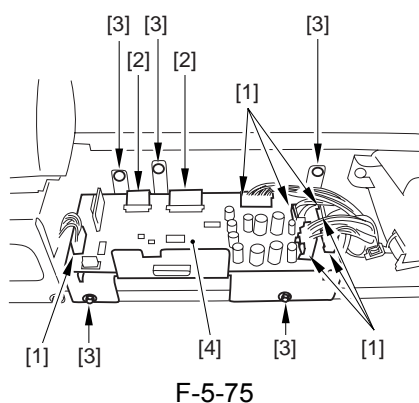
iR5570 / iR6570

- 1) Remove the 4 RS tightening screws [1] and the 2 binding screws [2]; then, detach the IF PCB cover [3].



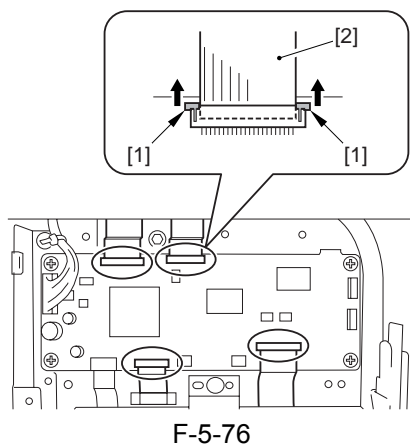
F-5-74

- 2) Disconnect the 7 connectors [1], disconnect the 2 flat cables [2], and remove the 5 screws [3]; then, detach the interface PCB unit [4].



How to Disconnect the Flat Cable

Slide the locking lever [1] in the direction of the arrow; then, disconnect the flat cable.



3) Remove the 9 screws [1], and detach the interface PCB [2].

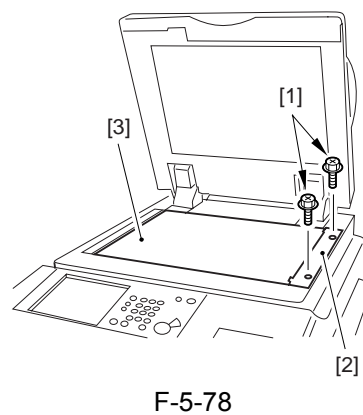
5.4.6 Inverter PCB

5.4.6.1 Removing the Copyboard Glass

[0008-7650](#)

iR5570 / iR6570

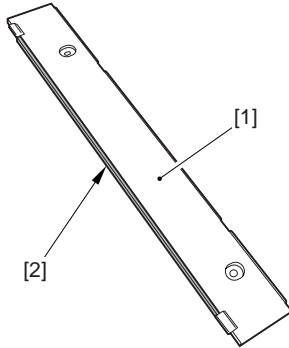
- 1) Open the ADF.
- 2) Remove the 2 screws [1], and detach the right glass retainer [2]; then, detach the copyboard glass [3].



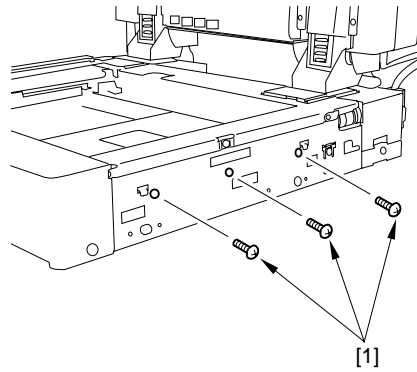
When detaching the copyboard glass, take care not to touch the white plate attached to its back. (Soiling can cause lines in the image). If soiled, clean it using lint-free paper moistened with alcohol.)



Take care not to deform the sponge attached to the right glass retainer [1].



F-5-79



F-5-81

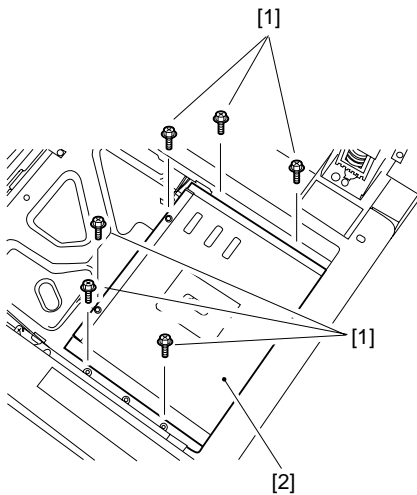
5.4.6.2 Removing the CCD

Unit Cover

0008-7651

iR5570 / iR6570

1) Remove the 9 screws [1], and detach the CCD unit cover [2].



F-5-80

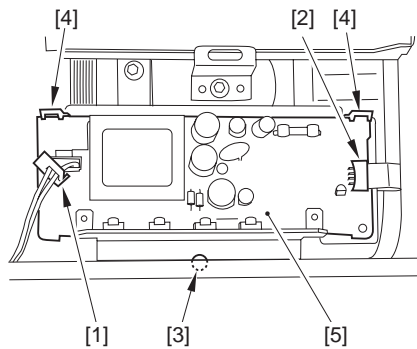
5.4.6.3 Removing the Inverter

PCB

0008-7653

iR5570 / iR6570

1) Disconnect the connectors [1], disconnect the flat cable [2], and remove the screw [3]; then, release the 2 PCB supports [4], and detach the inverter PCB [5].



F-5-82

5.4.6.4 When Replacing the

Inverter PCB

0008-7654

iR5570 / iR6570

Execute the following service mode items:

- 1) white plate data adjustment (COPIER>FUNCTION> CCD> CCD-ADJ)
- 2) ADF white level adjustment (COPIER>FUNCTION> CCD> DF-WLVL1/2)



Be sure to perform white plate data adjustment before performing ADF white level adjustment.

5.4.7 Scanner Motor

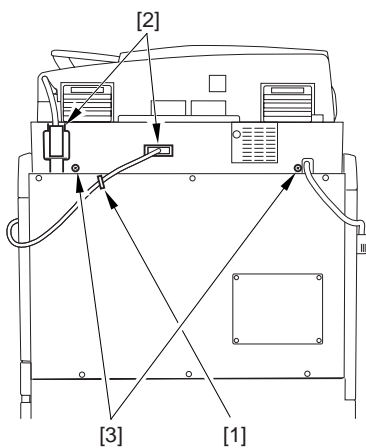
5.4.7.1 Removing the Reader

Unit Rear Cover

0008-7858

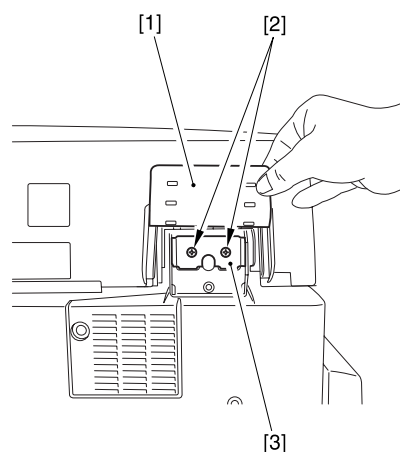
iR5570 / iR6570

- 1) Open the cable clamp [1].
- 2) Disconnect the 2 connectors [2].
- 3) Remove the 2 screws [3].

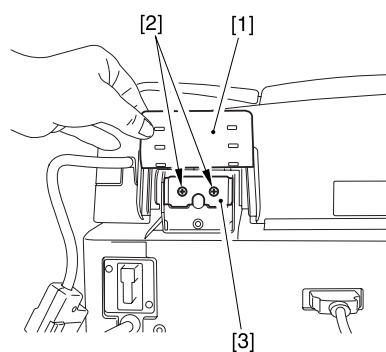


F-5-83

- 4) Bend up the rubber cover [1], and remove the 2 screws [2] each; then, detach the 2 angle guide plates [3].



F-5-84

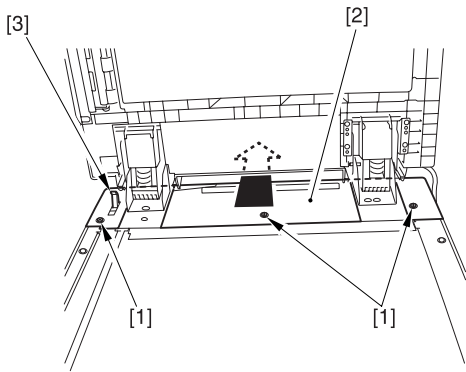


F-5-85

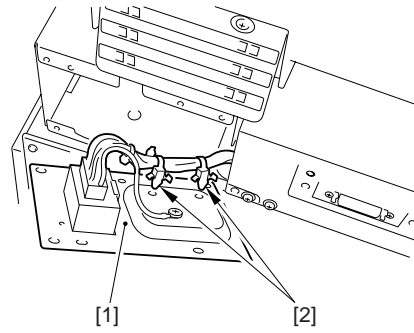
- 5) Fully open the ADF.
- 6) Remove the 3 screws [1], and slide the reader unit rear cover [2] to the rear to detach.



Take care not to damage the ADF open/closed sensor arm [3].



F-5-86



F-5-88

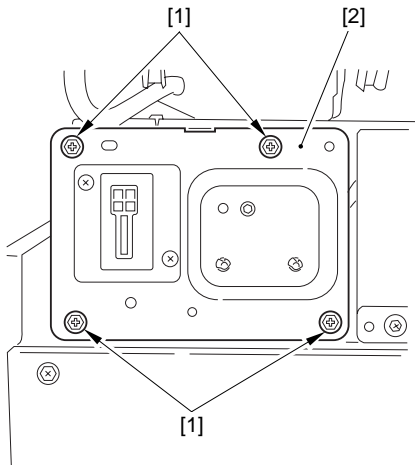
5.4.7.2 Removing the Scanner

Motor

0008-7859

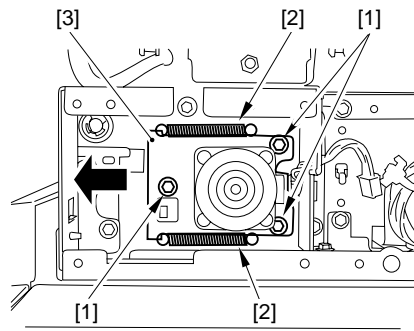
iR5570 / iR6570

- 1) Remove the 4 screws [1], and detach the cover [2].



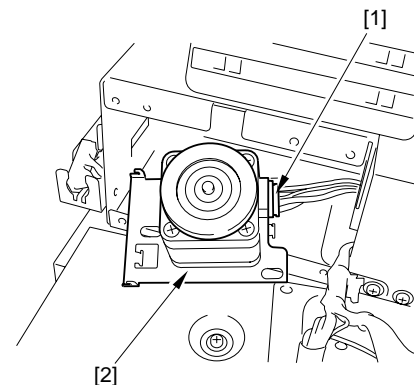
F-5-87

- 2) Remove the 2 harness retainers [2] for the back of the cover [1] to free the cover.



F-5-89

- 4) Disconnect the connector [1], and detach the scanner motor [2].



F-5-90

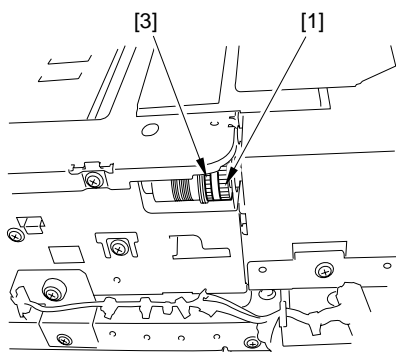
5.4.7.3 Mounting the Scanner

Motor

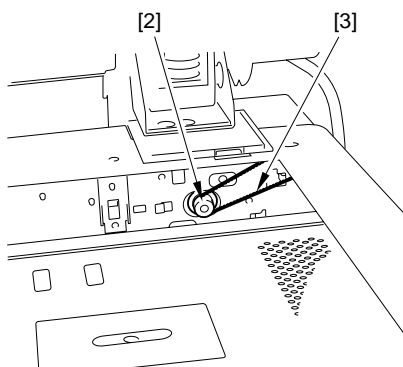
0008-7860

iR5570 / iR6570

When mounting the scanner motor, check to make sure that the timing belt [3] is properly fitted to the scanner pulley [1] and the motor shaft [2].



F-5-91



F-5-92

5.4.8 ADF Open/Close Sensor

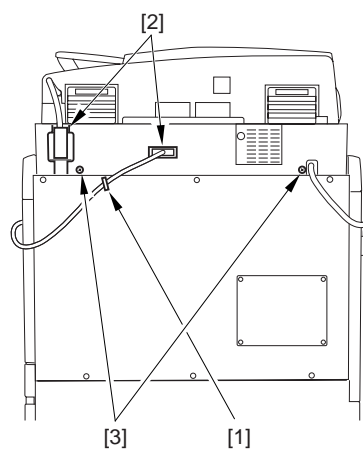
5.4.8.1 Removing the Reader

Unit Rear Cover

0009-2996

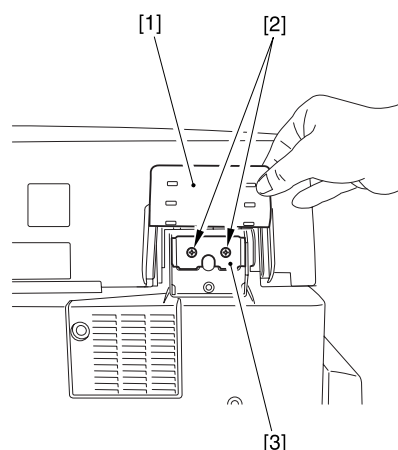
iR5570 / iR6570

- 1) Open the cable clamp [1].
- 2) Disconnect the 2 connectors [2].
- 3) Remove the 2 screws [3].

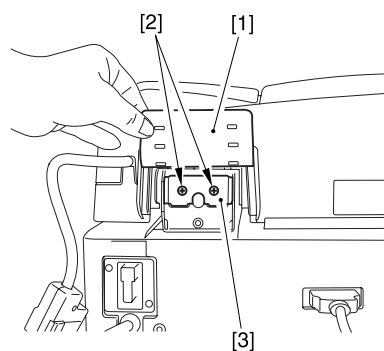


F-5-93

- 4) Bend up the rubber cover [1], and remove the 2 screws [2] each; then, detach the 2 angle guide plates [3].



F-5-94

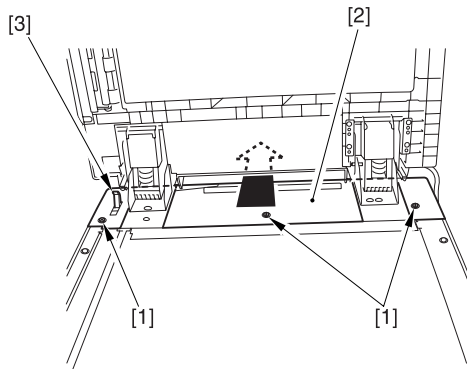


F-5-95

- 5) Fully open the ADF.
- 6) Remove the 3 screws [1], and slide the reader unit rear cover [2] to the rear to detach.



Take care not to damage the ADF open/closed sensor arm [3].



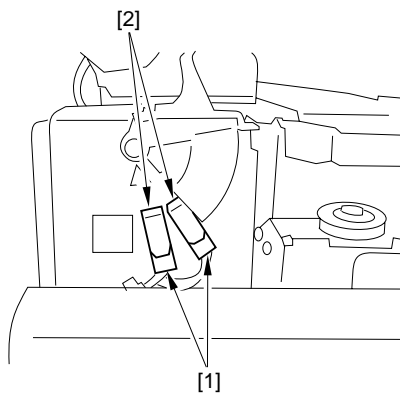
F-5-96

5.4.8.2 Removing the ADF Open/Closed Sensor

0009-1877

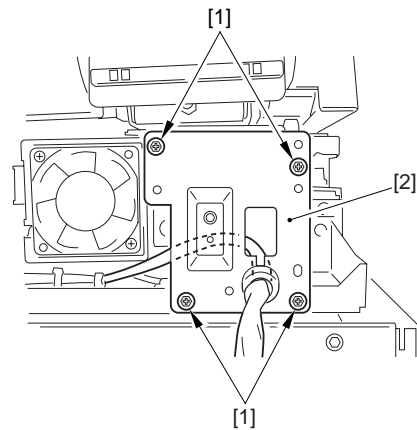
iR5570 / iR6570

- 1) Disconnect the connector [1].



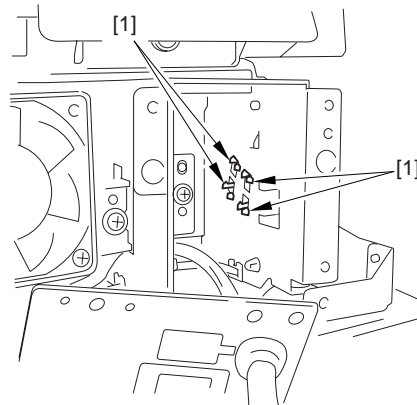
F-5-97

- 2) Remove the 4 screws [1], and detach the reinforcing plate [2].



F-5-98

- 3) Remove the hook [1], and detach the ADF open/closed sensor (1, 2).



F-5-99

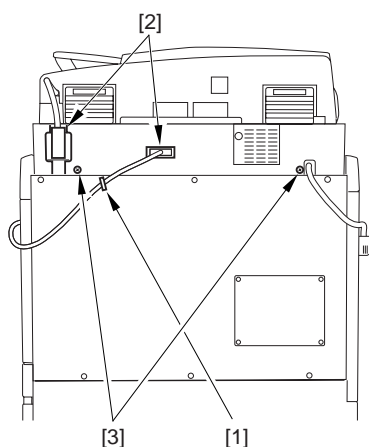
5.4.9 Scanner HP Sensor

5.4.9.1 Removing the Reader Unit Rear Cover

0009-1972

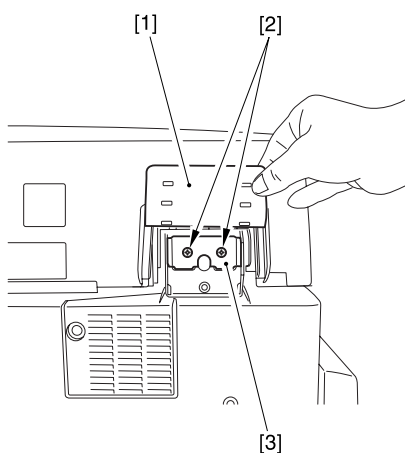
iR5570 / iR6570

- 1) Open the cable clamp [1].
- 2) Disconnect the 2 connectors [2].
- 3) Remove the 2 screws [3].

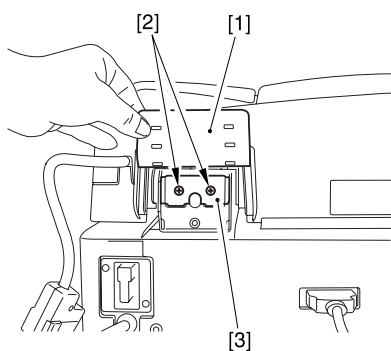


F-5-100

- 4) Bend up the rubber cover [1], and remove the 2 screws [2] each; then, detach the 2 angle guide plates [3].



F-5-101

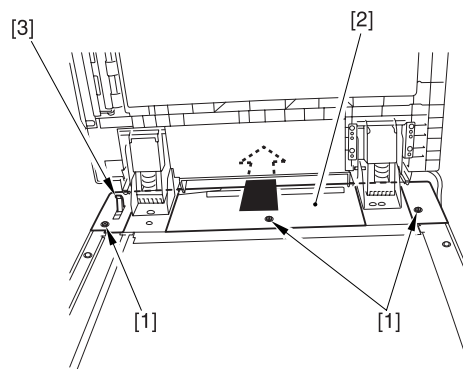


F-5-102

- 5) Fully open the ADF.
6) Remove the 3 screws [1], and slide the reader unit rear cover [2] to the rear to detach.



Take care not to damage the ADF open/closed sensor arm [3].



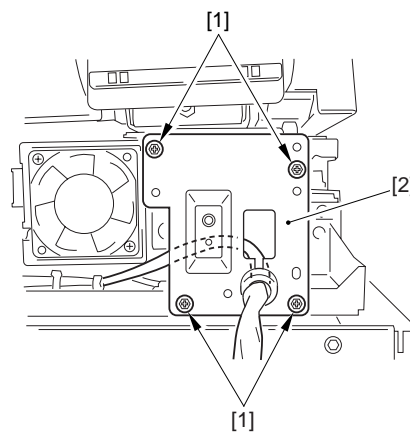
F-5-103

5.4.9.2 Removing the Mirror

Base Home Position Sensor 0009-1973

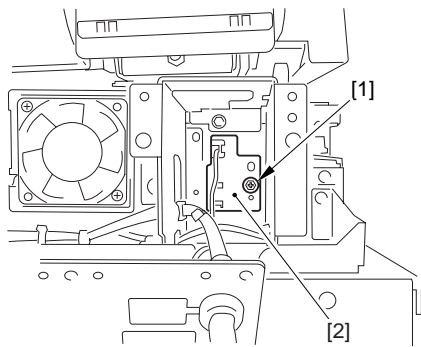
iR5570 / iR6570

- 1) Remove the 4 screws [1], and detach the plate [2].



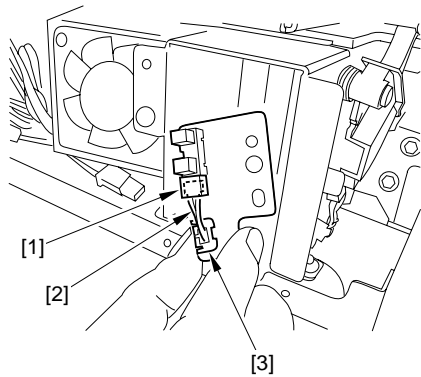
F-5-104

- 2) Remove the screw [1], and detach the sensor base [2].



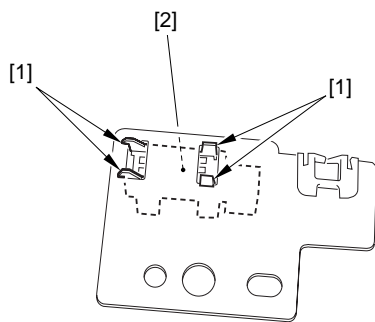
F-5-105

3) Disconnect the connector [1], and detach the home position sensor [1].



F-5-106

4) Remove the hook [1], and detach the home position sensor [2].



F-5-107

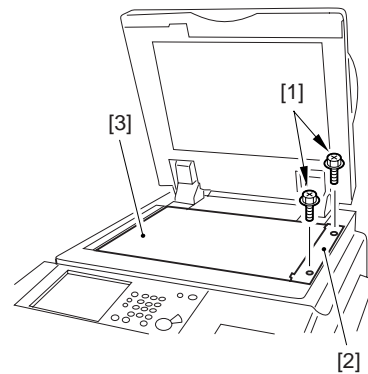
5.4.10 Original Size Sensor

5.4.10.1 Removing the Copyboard Glass

0008-7863

iR5570 / iR6570

- 1) Open the ADF.
- 2) Remove the 2 screws [1], and detach the right glass retainer [2]; then, detach the copyboard glass [3].



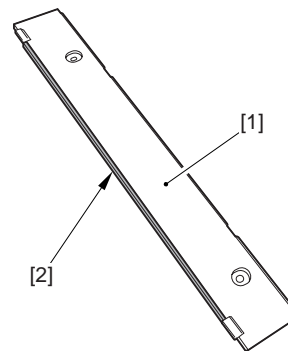
F-5-108



When detaching the copyboard glass, take care not to touch the white plate attached to its back. (Soiling can cause lines in the image). If soiled, clean it using lint-free paper moistened with alcohol.)



Take care not to deform the sponge attached to the right glass retainer [1].



F-5-109

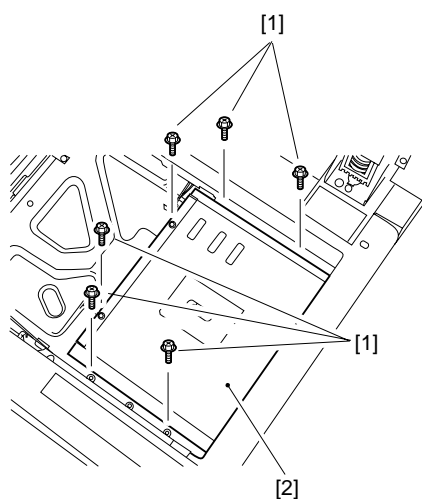
5.4.10.2 Removing the CCD

Unit Cover

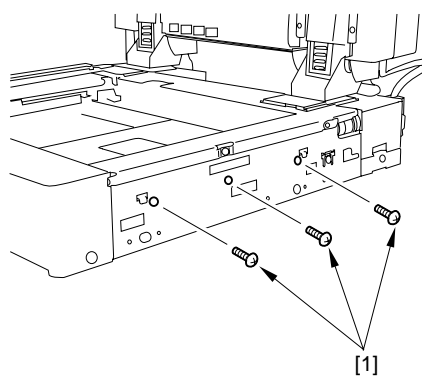
0008-7864

iR5570 / iR6570

- 1) Remove the 9 screws [1], and detach the CCD unit cover [2].



F-5-110



F-5-111

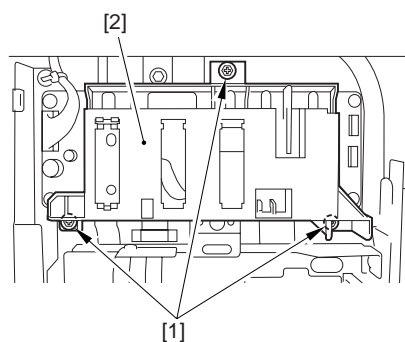
5.4.10.3 Removing the Original

Size Sensor Unit

0008-7865

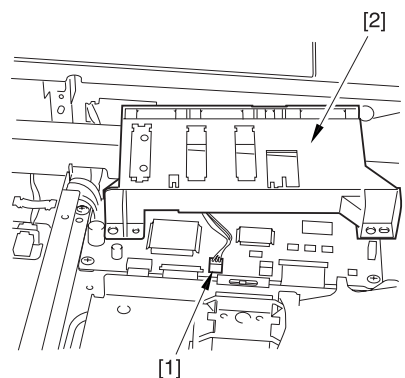
iR5570 / iR6570

- 1) Remove the 3 screws [1], and shift the original size sensor unit [2].



F-5-112

- 2) Disconnect the connector [1], and detach the original size sensor unit [2].



F-5-113

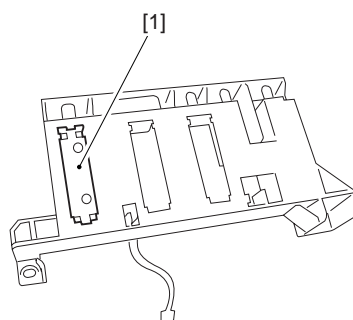
5.4.10.4 Removing the Original

Size Sensor

0008-7866

iR5570 / iR6570

- 1) While freeing the claw at the edge, remove the original size sensor [1].



F-5-114

5.4.11 Cooling Fan

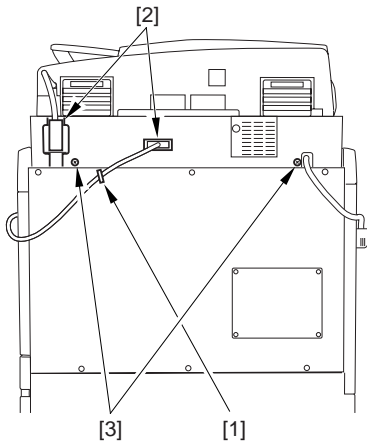
5.4.11.1 Removing the Reader

Unit Rear Cover

0009-2998

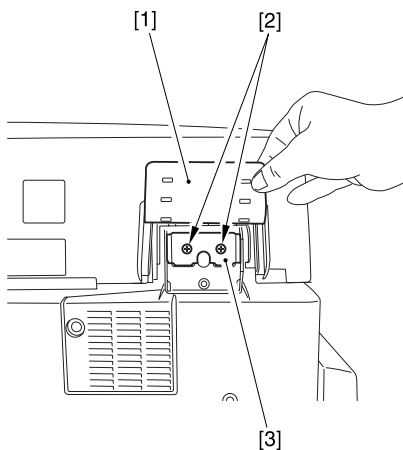
iR5570 / iR6570

- 1) Open the cable clamp [1].
- 2) Disconnect the 2 connectors [2].
- 3) Remove the 2 screws [3].

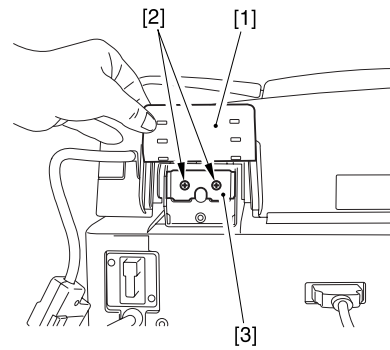


F-5-115

- 4) Bend up the rubber cover [1], and remove the 2 screws [2] each; then, detach the 2 angle guide plates [3].



F-5-116

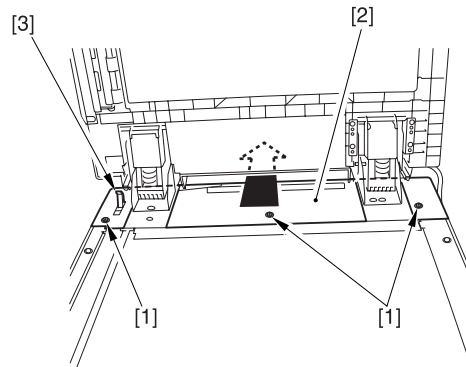


F-5-117

- 5) Fully open the ADF.
- 6) Remove the 3 screws [1], and slide the reader unit rear cover [2] to the rear to detach.



Take care not to damage the ADF open/closed sensor arm [3].



F-5-118

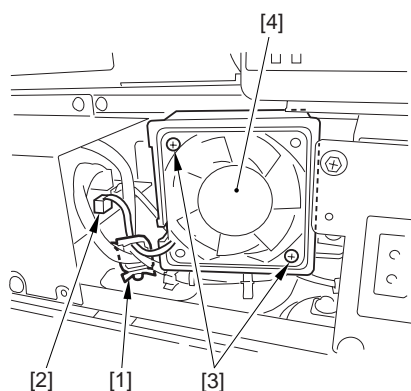
5.4.11.2 Removing the Cooling

Fan

0009-1881

iR5570 / iR6570

- 1) Open the wire saddle [1], and disconnect the connector [2].
- 2) Remove the 2 screws [3], and detach the cooling fan [4].



F-5-119

5.4.12 Scanner Drive Cable

5.4.12.1 Outline

0008-7867

iR5570 / iR6570

Be sure to have the following nearby when replacing the scanner drive cable:

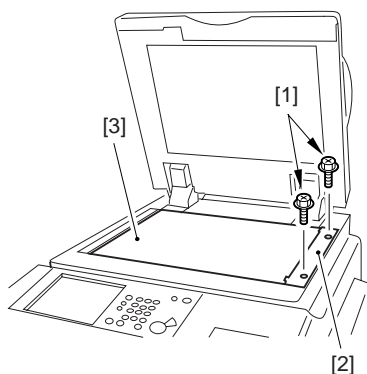
- mirror positioning tool

5.4.12.2 Removing the Copyboard Glass

0008-7870

iR5570 / iR6570

- 1) Open the ADF.
- 2) Remove the 2 screws [1], and detach the right glass retainer [2]; then, detach the copyboard glass [3].



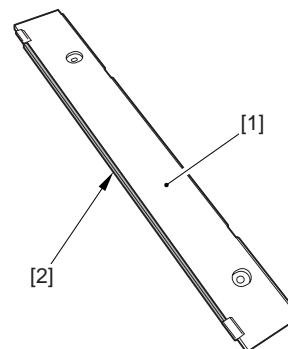
F-5-120



When detaching the copyboard glass, take care not to touch the white plate attached to its back. (Soiling can cause lines in the image). If soiled, clean it using lint-free paper moistened with alcohol.)



Take care not to deform the sponge attached to the right glass retainer [1].



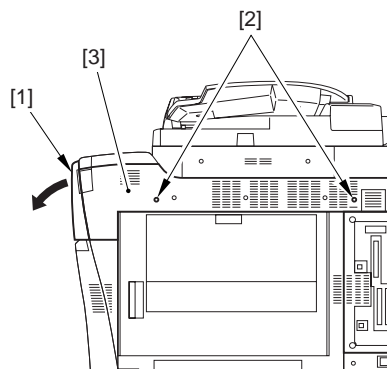
F-5-121

5.4.12.3 Removing the Right Cover (upper)

0008-7871

iR5570 / iR6570

- 1) Open the toner supply cover [1].
- 2) Remove the 2 screws [2], and detach the right cover (upper) [3].



F-5-122

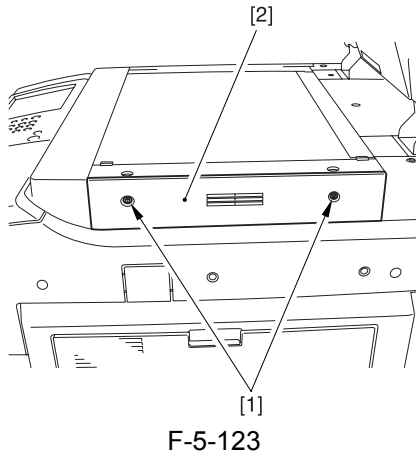
5.4.12.4 Removing the Reader

Right Cover

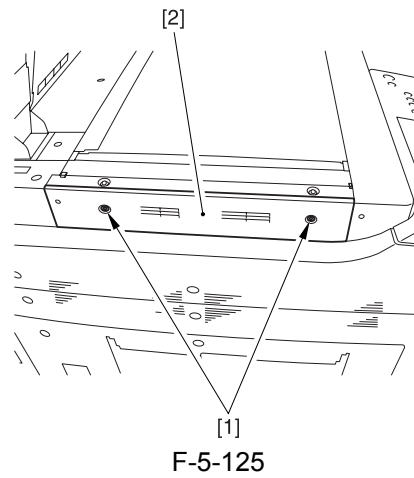
0008-7872

iR5570 / iR6570

- 1) Remove the 2 screws [1], and detach the reader right cover [2].



- 1) Remove the 2 screws [1], and detach the reader left cover [2].



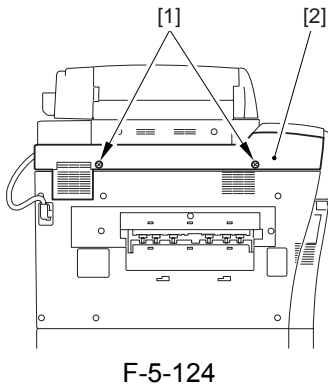
5.4.12.5 Removing the Left

Cover (upper)

0008-7873

iR5570 / iR6570

- 1) Remove the 2 screws [1], and detach the left cover (upper) [2].



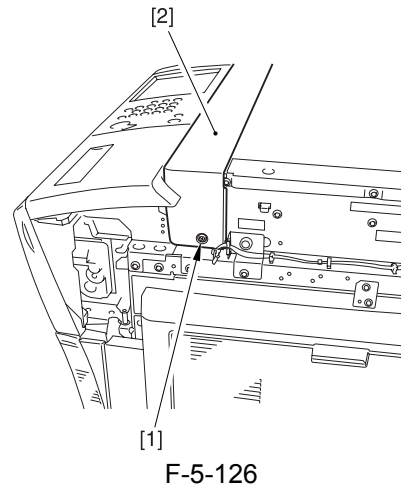
5.4.12.7 Removing the Reader

Front Cover

0008-7875

iR5570 / iR6570

- 1) Remove the screw [2] (1 pc. each) from the left and right of the reader front cover [1].

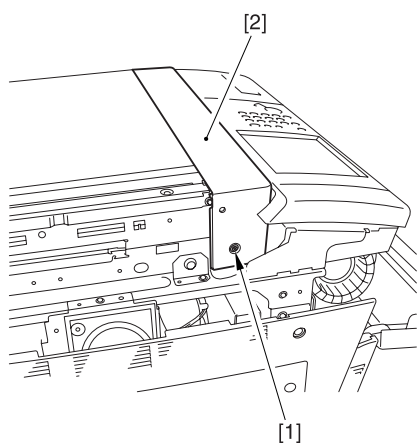


5.4.12.6 Removing the Reader

Left Cover

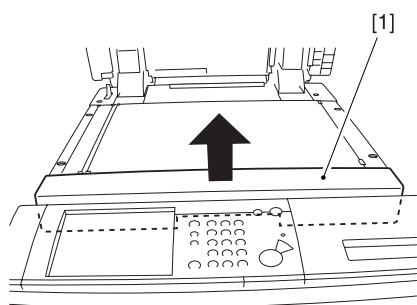
0008-7874

iR5570 / iR6570



F-5-127

- 2) Detach the reader front cover [1] in upward direction [1].



F-5-128

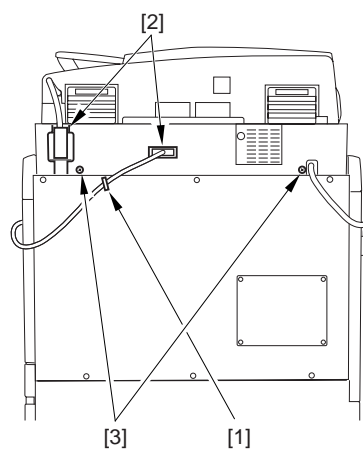
5.4.12.8 Removing the Reader

Unit Rear Cover

0009-3000

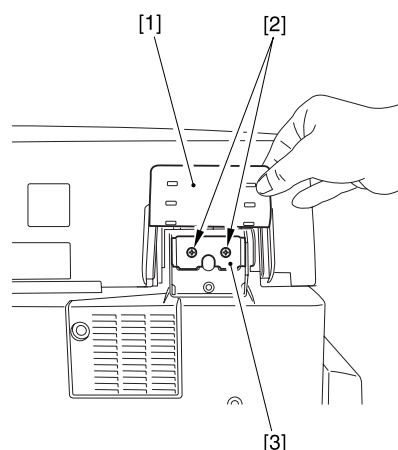
iR5570 / iR6570

- 1) Open the cable clamp [1].
- 2) Disconnect the 2 connectors [2].
- 3) Remove the 2 screws [3].

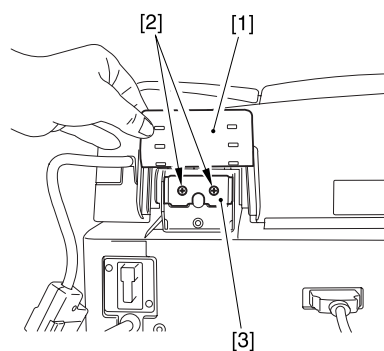


F-5-129

- 4) Bend up the rubber cover [1], and remove the 2 screws [2] each; then, detach the 2 angle guide plates [3].



F-5-130

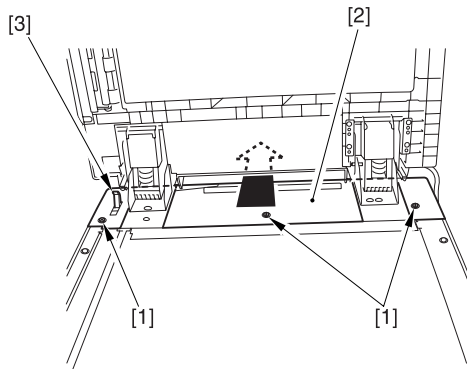


F-5-131

- 5) Fully open the ADF.
- 6) Remove the 3 screws [1], and slide the reader unit rear cover [2] to the rear to detach.



Take care not to damage the ADF open/closed sensor arm [3].

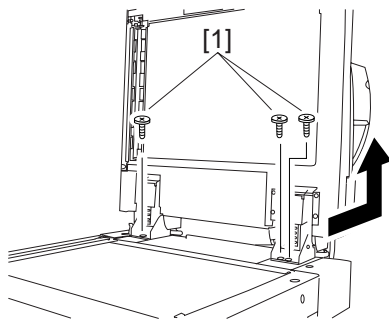


F-5-132

5.4.12.9 Removing the ADF 0008-7876

iR5570 / iR6570

- 1) Remove the 3 knurled screws [1]; then, slide it to the front, and lift it to detach.



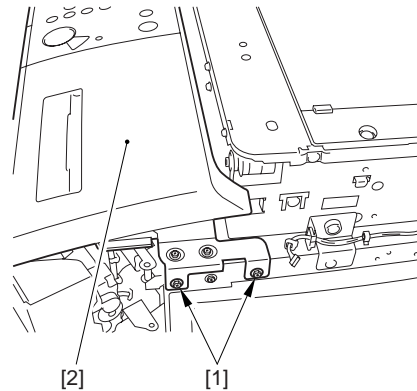
F-5-133

5.4.12.10 Removing the Control Panel 0008-7877

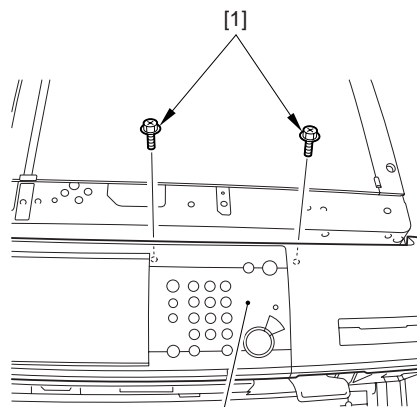
iR5570 / iR6570

- 1) Open the hopper front cover [1].

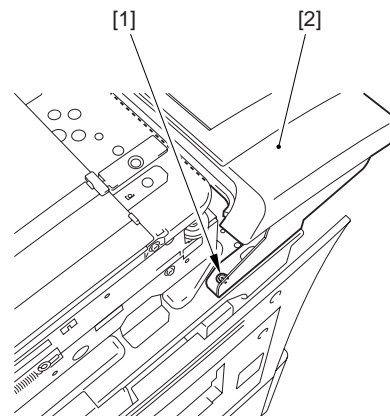
- 2) Remove the 5 screws [1].



F-5-134



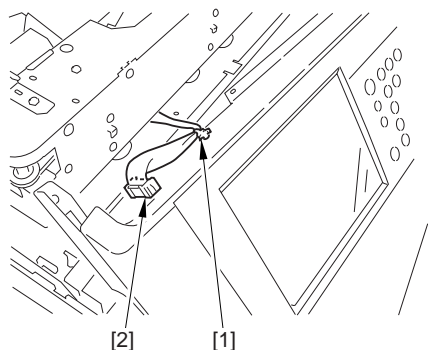
F-5-135



F-5-136

- 3) Shift the control panel [1] together with the cover;

then, remove the snap band [2], and disconnect the connector [3].



F-5-137

5.4.12.11 Removing the Scanner Drive Cable 0008-7879

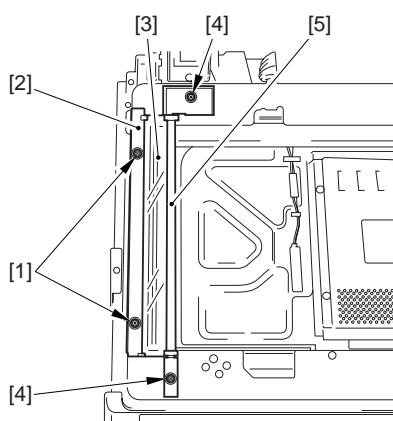
iR5570 / iR6570

- 1) Remove the 2 screws [1], and detach the reading glass retainer [2].



When detaching the reading glass retainer, be sure to take care so that the leaf spring will not come off.

- 2) Remove the reading glass [3].
- 3) Remove the 3 screws [4], and detach the left glass retainer [5].

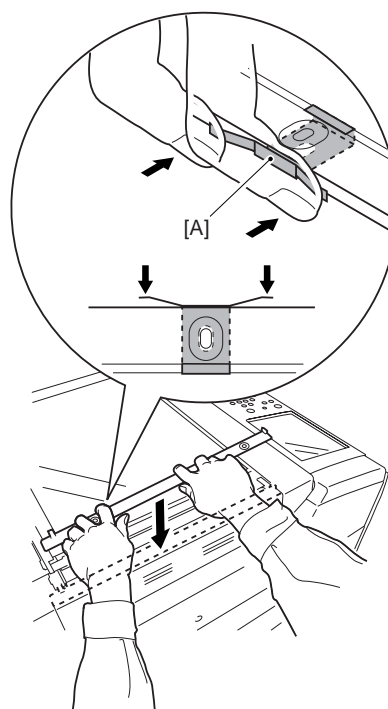


F-5-138

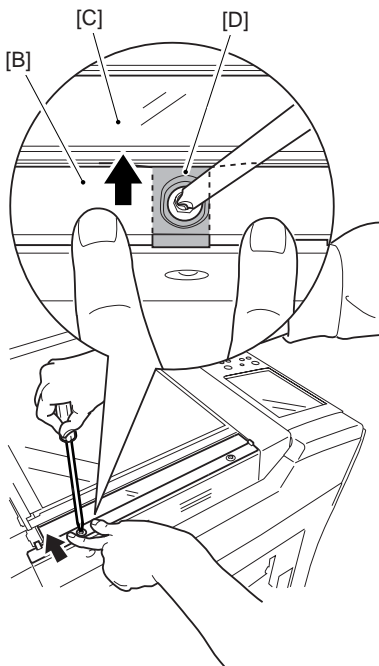


When mounting the reading glass retainer, be sure to hold down both edges of the left spring [A] while fixing it in place. (Take care not to bend the sponge.) Be sure to mount it while butting the reading glass retainer [B] against the reading glass [C]. Check to be sure that the side of the reading glass is in contact with the leaf spring [D] of the reading glass retainer.

If not, dust can collect on the reading glass, causing lines in output images.

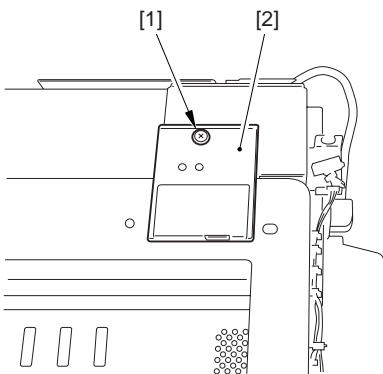


F-5-139



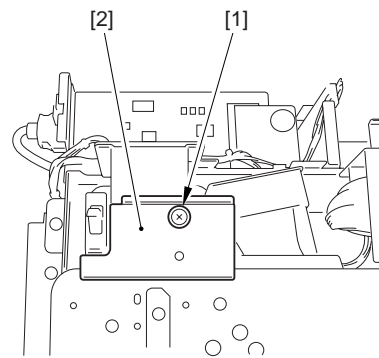
F-5-140

- 4) Remove the screw [1], and detach the ADF right screw cover [2].



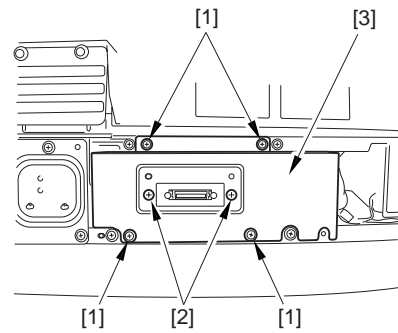
F-5-141

- 5) Remove the screw [1], and detach the ADF left screw cover [2].



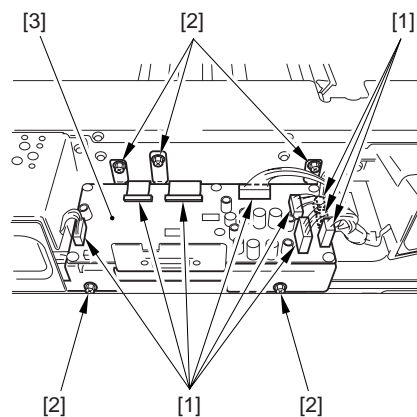
F-5-142

- 6) Remove the 6 screws [1], and detach the interface PCB cover.



F-5-143

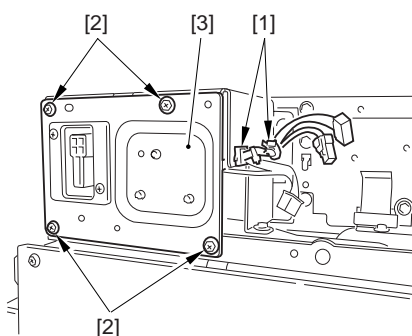
- 7) Disconnect the 9 connectors [1], and remove the 5 screws [2]; then, detach the interface PCB [3] together with its base



F-5-144

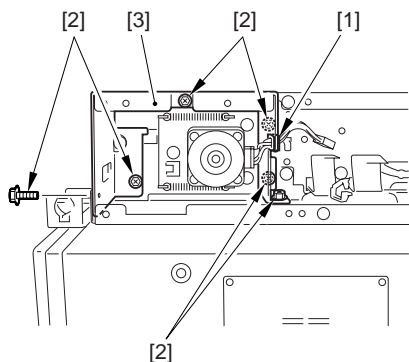
- 8) Open the 2 wire saddles [1].
 9) Remove the 4 screws [2], and detach the motor

cover [3] together with the harness.



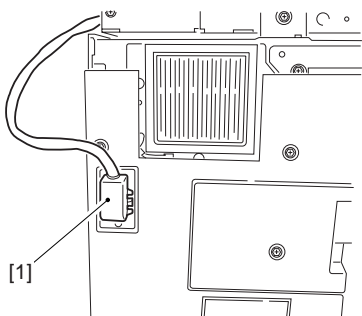
F-5-145

10) Free the harness from the wire saddle [1], and remove the 6 screws [2]; then, detach the motor frame [3].



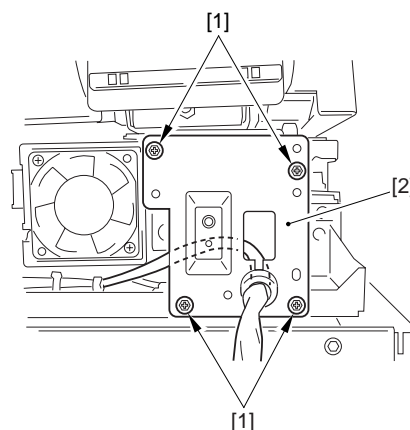
F-5-146

11) Disconnect the connectors [1] of the reader unit communications cable.



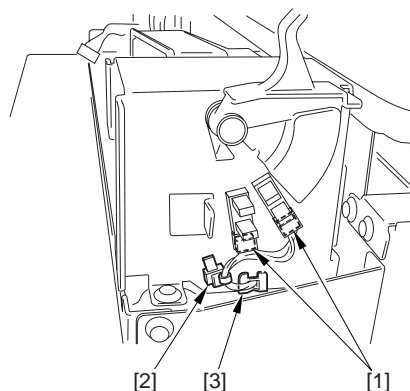
F-5-147

12) Remove the 4 screws [1], and shift the ADF open/closed sensor cover [2] to the front.



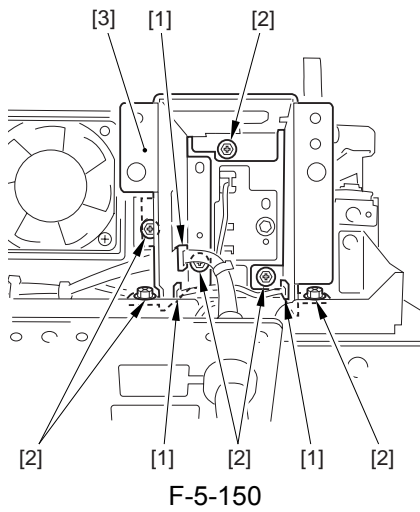
F-5-148

13) Disconnect the 2 connectors [1], and remove the snap band [2]; then, free the harness from the wire saddle [3].

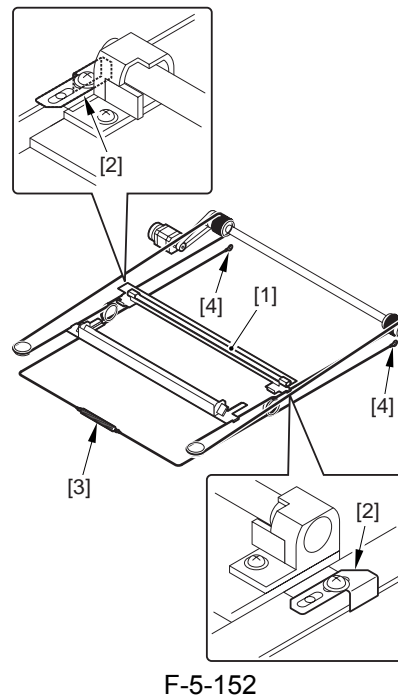


F-5-149

14) Free the harness from the 3 wire saddles [1], and remove the 6 screws [2]; then, detach the ADF open/closed sensor base [3].



15) Remove the 24 screws [1], and detach the reader upper frame [2].

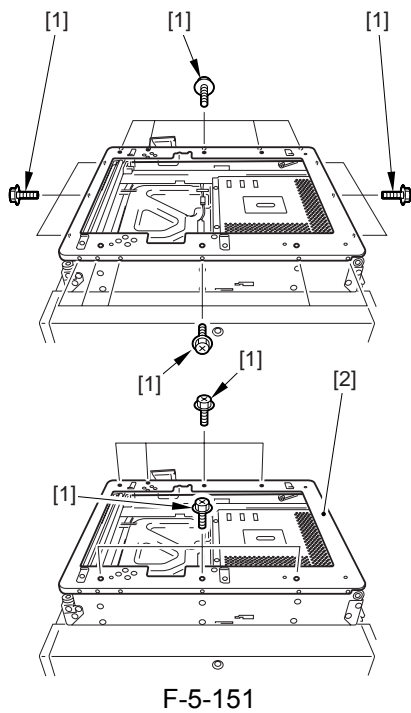


5.4.12.12 Fitting the Scanner

Drive Cable

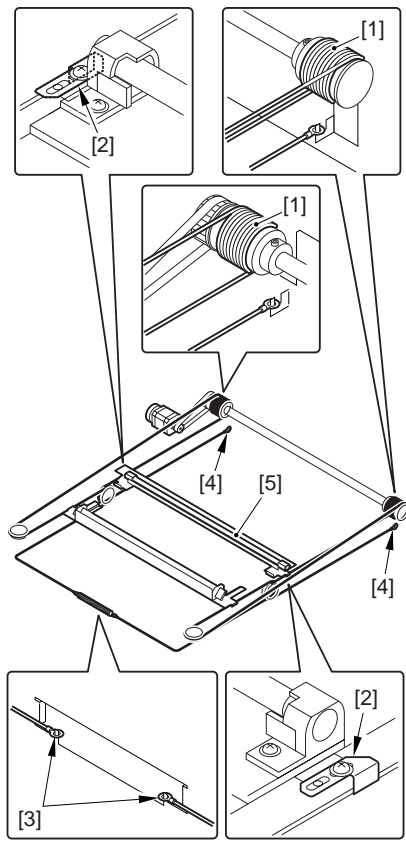
0008-7880

iR5570 / iR6570

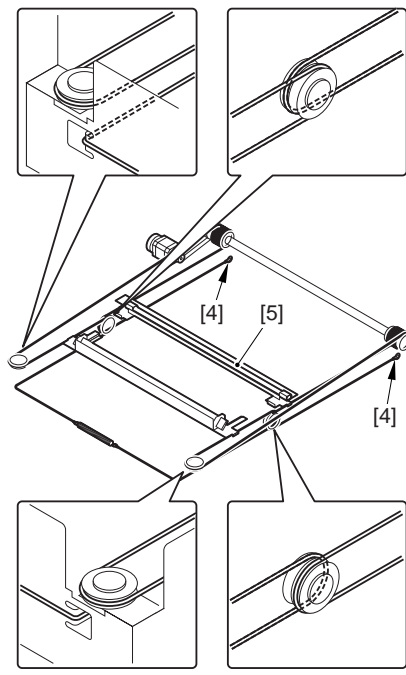


- 1) Put the ball of the cable into the hole of the drive pulley [1], and wind the cable (4 times inside; 5 times outside); then, tape it in place. At this time, make sure that the cable fixing [2] is on the inside.
- 2) Fit the cable on the pulleys; then, fit one end on the left side hook [3] and the other end on the right side hook [4].
- 3) Temporarily fix the cable fixing plate [2] in place on the No. 1 mirror base [5].
- 4) Mount the reader unit upper frame.

- 16) Remove the 2 cable fixing screws [2] of the No. 1 mirror base [1].
- 17) Remove the cable fixing screws [3].
- 18) Free the 2 hooks [4] of the cable from the right side of the reader unit frame.
- 19) Detach the cable for the pulleys.



F-5-153



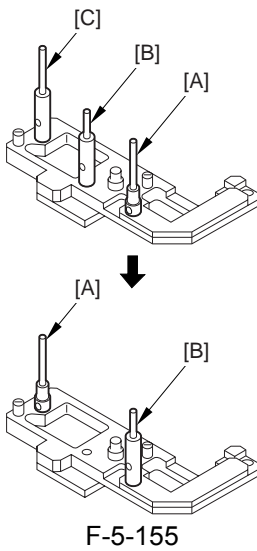
F-5-154

5.4.12.13 Adjusting the Position of the No. 1/No. 2 Mirror Base

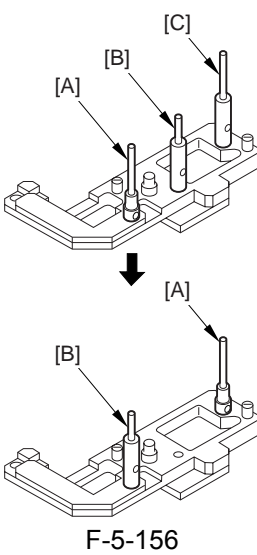
0008-7881

iR5570 / iR6570

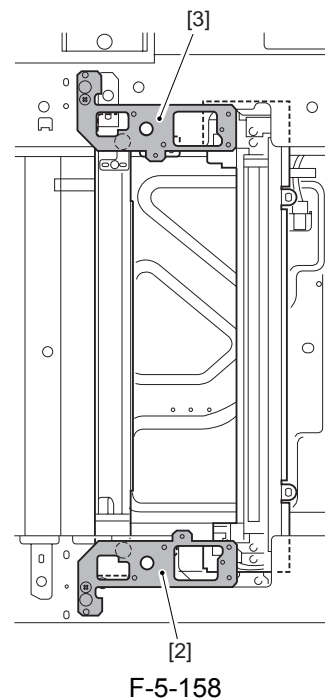
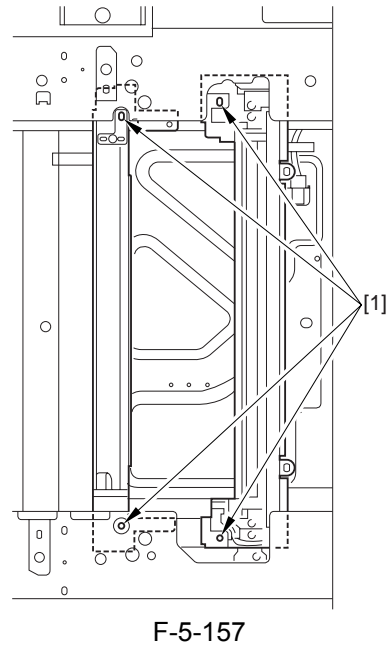
- 1) Arrange the mirror positioning tool (FY9-3009-040) so that it is ready for use in the machine (by changing the pin position; REAR).



- 2) Arrange the mirror positioning tool so that it is ready for use in the machine (by changing the pin position; FRONT).



- 3) Fit the pins of the mirror positioning tool (front [2]; rear [3]) into the appropriate holes of the No. 1/No. 2 mirror base.



- 4) Secure the end of the cable that has temporarily been fixed in place on the hook of the reader unit frame.

- 5) Fully tighten the screws on the cable fixing plate both at the front and the rear.
- 6) Detach the mirror positioning tool (FRONT, REAR).
- 7) Put the detached parts back on by reversing the foregoing steps.